



































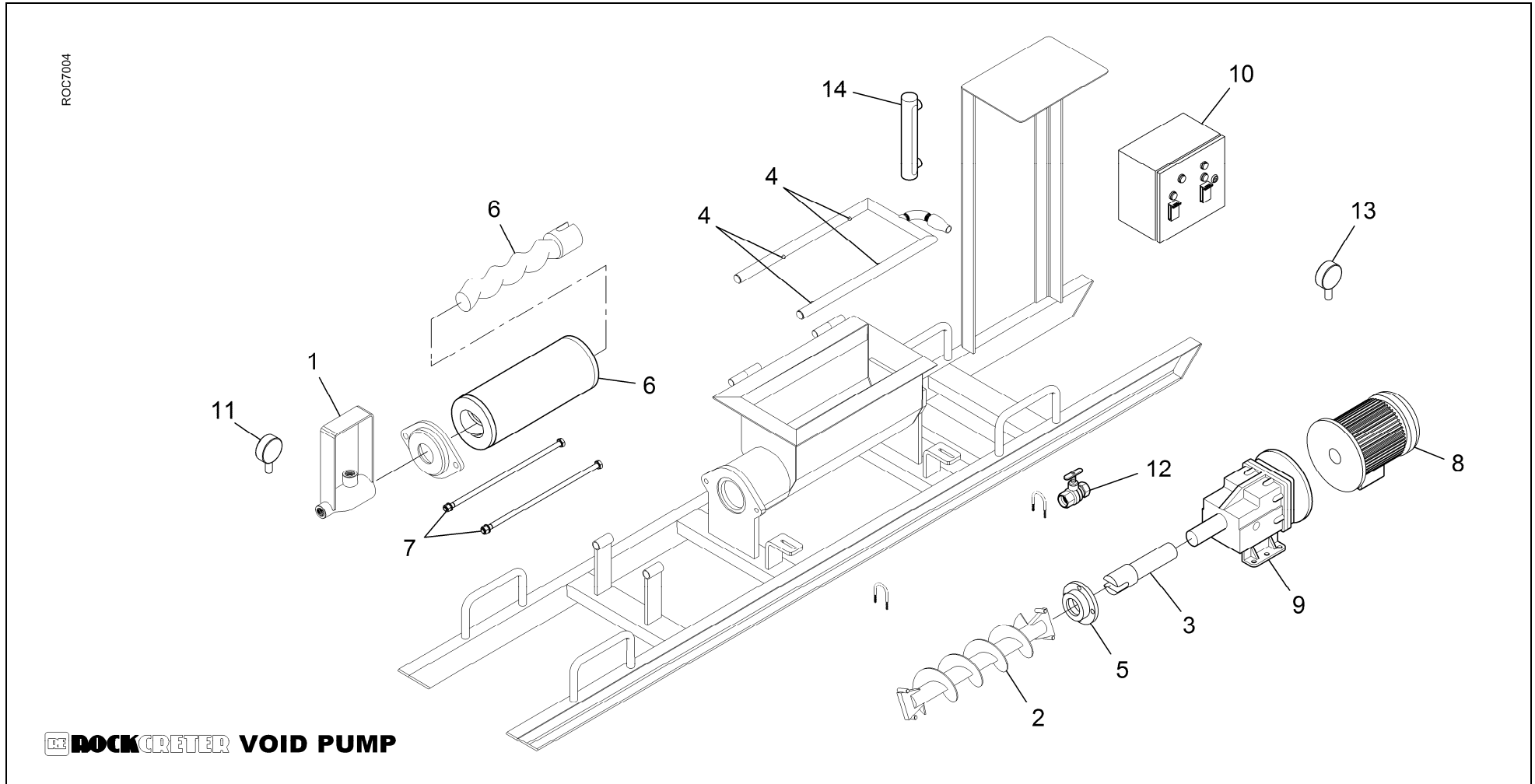








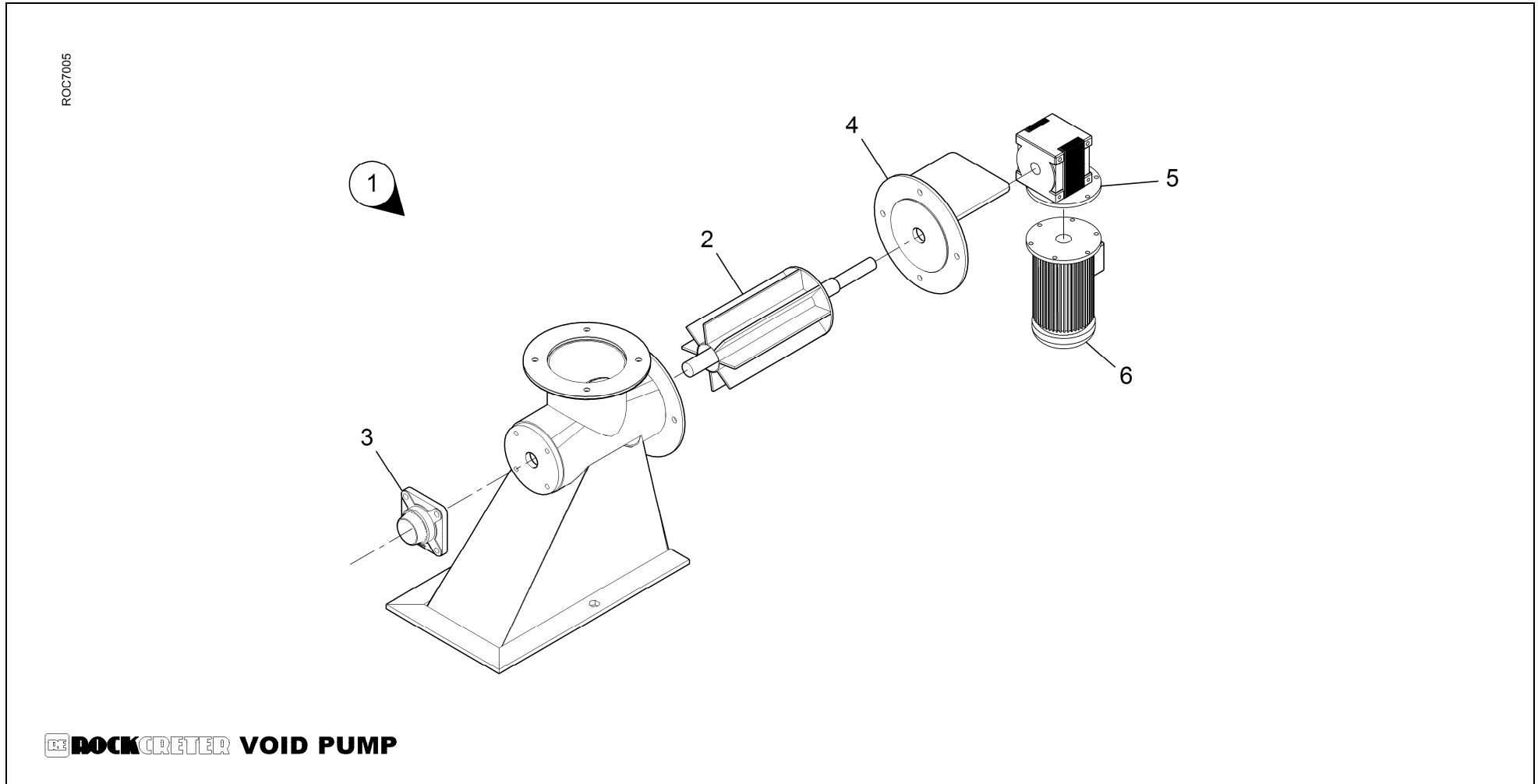
**2. PUMP SECTION COMPLETE**



**2. PUMP SECTION COMPLETE**

| ITEM NO | DESCRIPTION                     | PART NO     | QTY | COMMENTS |
|---------|---------------------------------|-------------|-----|----------|
| 1       | MRT FRONT BRACKET AND REDUCER   | KGPF006A    | 1   |          |
| 2       | AUGER C70                       | KGPF003     | 1   |          |
| 3       | DRIVE SHAFT C70A                | KGPF007A    | 1   |          |
| 4       | WATER JETS                      | V009        | 4   |          |
| 5       | STUFFING BOX COMPLETE           | KGPF001     | 1   |          |
| 6       | MRT ROTOR / STATOR SET          | KGPF005A    | 1   |          |
| 7       | STATOR BOLTS                    | KGPF017-580 | 1   |          |
| 8       | ELECTRIC MOTOR 525V – 7.5 kW    | EA028C      | 1   |          |
| 9       | C70 INLINE GEARBOX              | KGPF203     | 1   |          |
| 10      | BOX CONTROL DUAL – 525V – 7.5kW | EA037A      | 1   |          |
| 11      | GROUT PRESSURE GAUGE            | EA035A      | 1   |          |
| 12      | PV18                            | PV18        | 2   |          |
| 13      | PRESSURE GAUGE                  | EA035B      | 1   |          |
| 14      | WATER FLOW METER                | KGPF009C    | 1   |          |
|         |                                 |             |     |          |
|         |                                 |             |     |          |
|         |                                 |             |     |          |
|         |                                 |             |     |          |
|         |                                 |             |     |          |
|         |                                 |             |     |          |

### 3. STAR FEEDER ASSEMBLY





4. TOP CHUTE ASSEMBLY

