

# ROCKCRETE EQUIPMENT'S ROCKCRETER PRE-DAMPENER



Solutions for concrete repair & refractory industry



**ROCKCRETE**  
EQUIPMENT (PTY) LTD

# Overview

The Rockcreter Pre-Dampener is designed to receive Dry material & feed pre-damped material into your gunning machine, thus eliminating any dust around the equipment and guaranteeing a perfectly hydrated end product

## Applications

- ☞ Refractory products
- ☞ Concrete repair mortar
- ☞ Continuous grout feeder
- ☞ Wet mix feeder
- ☞ Pre-dampener

## Main Benefits

- ☞ Homogeneous wet mortar in a few seconds
- ☞ Self-cleaning machine
- ☞ No waste dry material
- ☞ Modular shaft for different types of pre-bagged products
- ☞ Reduction of maintenance and cleaning costs
- ☞ Quick return on investment
- ☞ Perfectly hydrated end product



Solutions for concrete repair & refractory industry



**ROCKCRETE**  
EQUIPMENT (PTY) LTD

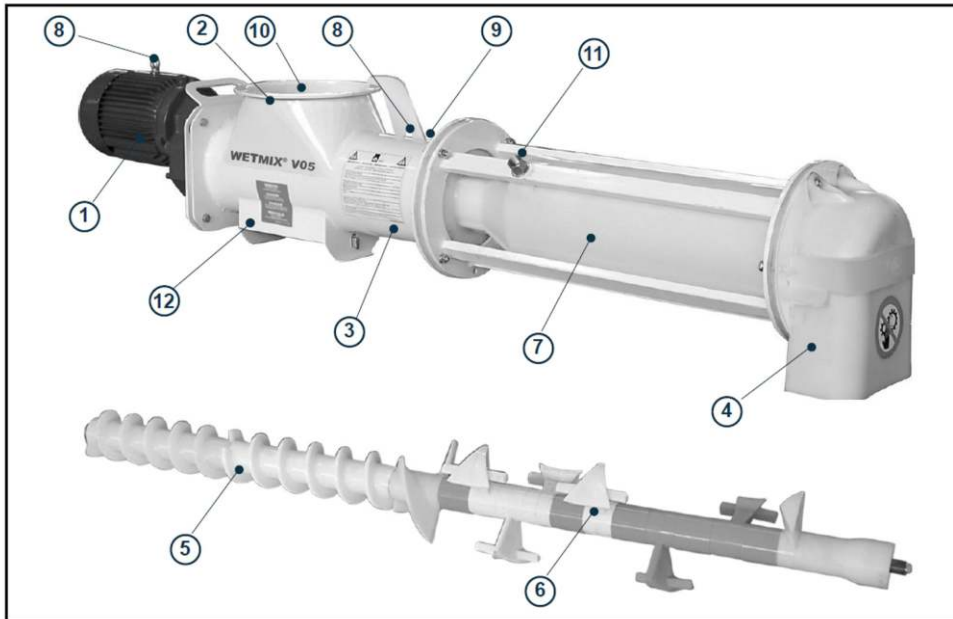
# Technical Specifications

## Dimensions

Length	:	2150mm
Width	:	1270mm
Height	:	1940mm
Weight	:	290kg
Output	:	3.8cu.mtrs/hr
Aggregate Size	:	5mm
Discharge height	:	1120mm

## Options

- ☞ Bulk bag hopper
- ☞ 525V/380V



## Description of the standard machine

1. Drive unit
2. Inlet spout
3. Horizontal housing
4. Outlet spout
- 5-6. Screw and mixer shaft
7. Mixing chamber
8. Lifting eye
9. Serial number
10. Solid connection flange
11. Water supply point
12. Inspection hatch

**RE** **ROCKCRETE**  
EQUIPMENT (PTY) LTD

Rockcrete Equipment (PTY) LTD  
361 Crocker Road  
Wadeville, Germiston 1428

Phone: +27 11 865 3019  
Email: [information@rockcrete.co.za](mailto:information@rockcrete.co.za)  
[www.rockcrete.co.za](http://www.rockcrete.co.za)