

ROCKCRETER TSL – PRE USE CHECK LIST

WARNING: REPORT DAMAGE, DEFECTS OR FAULTY OPERATION IMMEDIATELY. DO NOT OPERATE ROCKCRETE PUMP UNTIL CORRECTED

	Checked and in order
	Checked and found defective

Checked by: _____

Date: _____

Time: _____

Section: _____

Comments: _____

SAFETY PRECAUTIONS

1. Isolate all air & electric's during inspection and maintenance.
2. Keep hands away from moving parts.
3. Wear all necessary safety gear.

BEFORE STARTING THE ROCKCRETER TSL

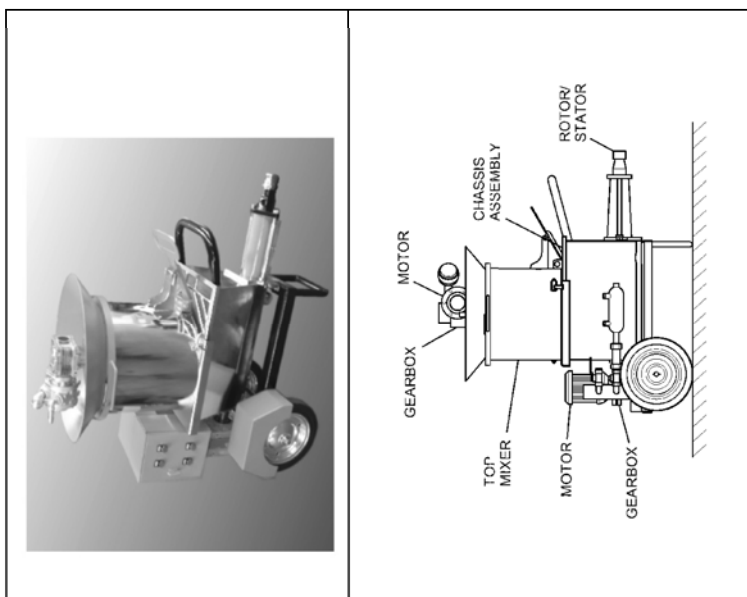
1. Check that air and water pressure is sufficient.
2. Check all air, electrical & water connections are in safe working order.
3. Check rotor and stator, if worn, replace. Apply grease before reassembling.
4. Check discharge, clean & replace if worn
5. Check hoses for any material or blockages before turning on the machine.
6. Check and make sure the sieve is in place and secure.
7. Check nozzle tip for any blockages, if blocked clean. Check o-rings. Apply grease on o-rings.
8. Check auger for wear.
9. Check clamps & gaskets are in place and secure to all fittings.

CHECK	GO	NO GO
1		
2		
3		
4		
5		
6		
7		
8		
9		
10		
11		

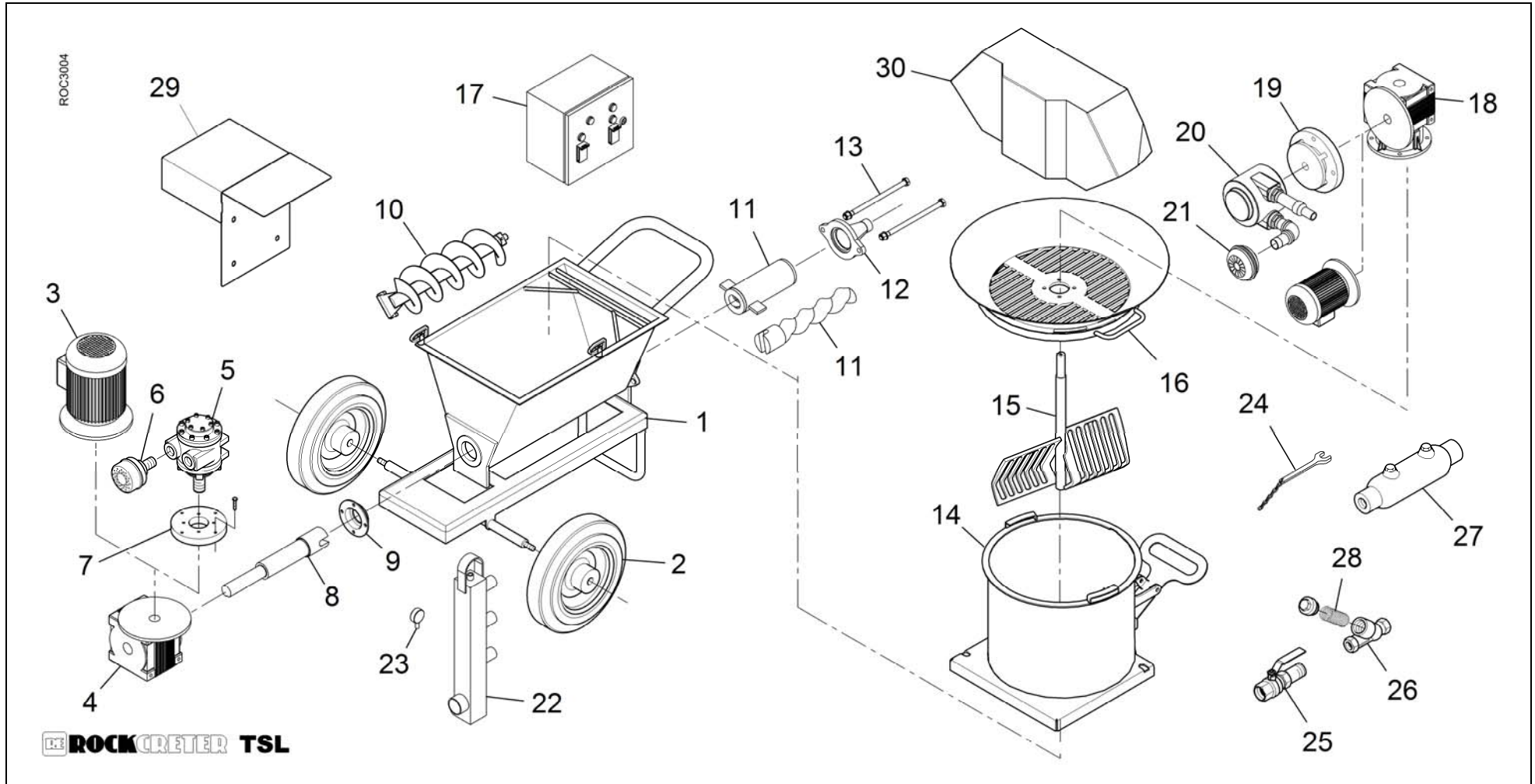
AFTER STARTING THE ROCKCRETER TSL

10. Check rotation of auger – anti clockwise
11. Check smooth operation of ROCKCRETER TSL

ROCKCRETER TSL



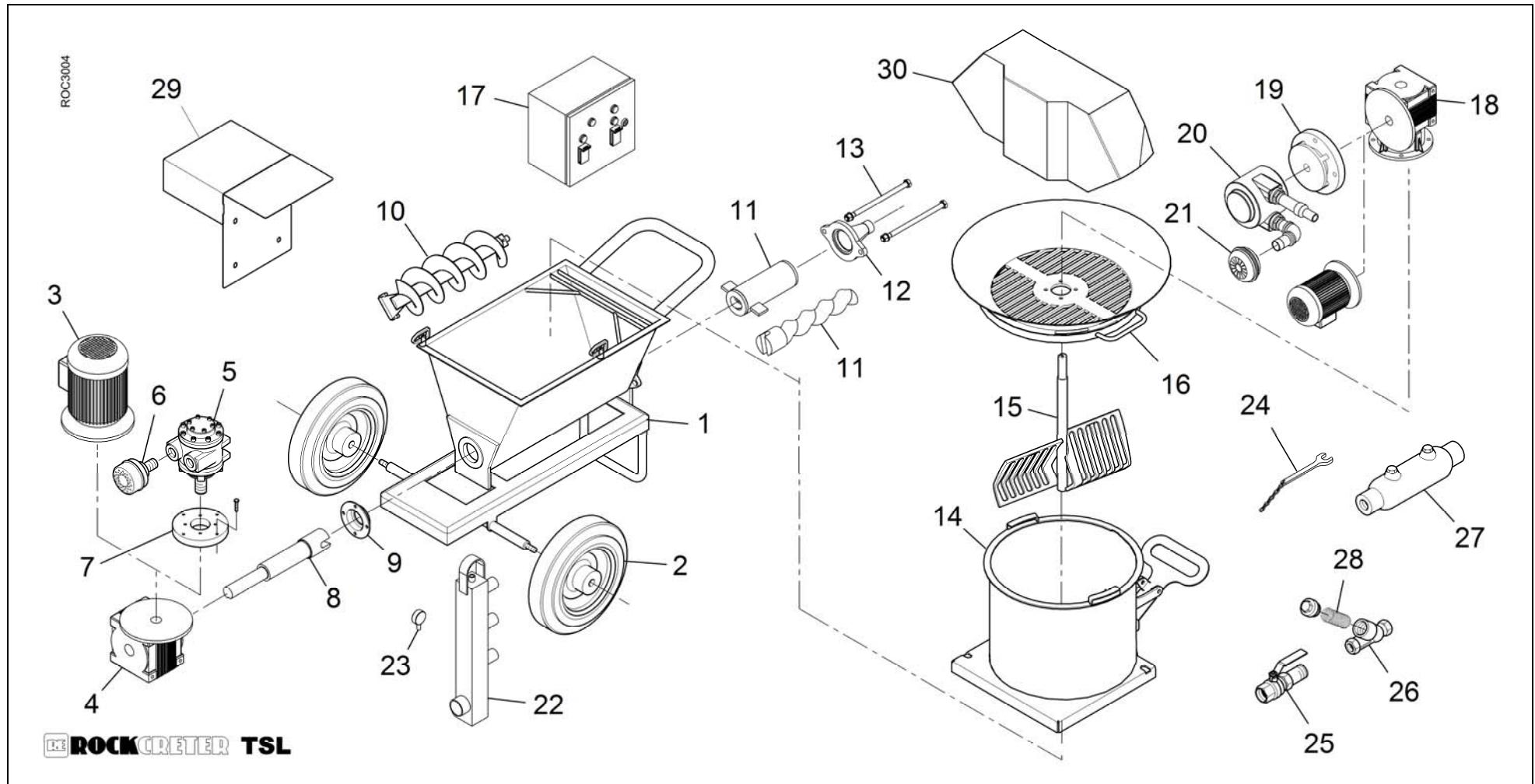
1. BODY ASSEMBLY



1. BODY ASSEMBLY

ITEM NO	DESCRIPTION	PART NO	QTY	COMMENTS
1	ROCKCRETER TSL ASSEMBLY	ARC-C70EA	1	
2	Ø 350 OD WHEEL	EA006	2	
3	ELECTRIC MOTOR 525V	EA028	1	
4	AUGER GEARBOX DRIVE	KGPF202	1	
5	MOTOR ASSEMBLY, AIR, 10 HP	RC10	1	
6	MUFFLER, AIR MOTOR	EA002	1	
7	FLANGE, AIR MOTOR	IGH23A	1	
8	MAIN DRIVE SHAFT	KGPF007	1	
9	STUFFING BOX, COMPLETE	KGPF001	1	
10	AUGER	KGPF003	1	
11	ROTOR/STATOR	KGPF004A	1	
12	DISCHARGE OUTLET, 32mm/25mm	KGPF005	1	
13	STATOR RETAINING BOLTS	KGPF320	1	
14	MIXING DRUM	KGPF009B	1	
15	MIXING PADDLE	KGPF009A	1	
16	MIXER SIEVE WITH CONE	KGPF008	1	
17	SWITCHBOX 525V DUAL	KGPF037	1	
18	MIXER GEARBOX DRIVE	EA010C	1	
19	AIR MOTOR MOUNTING FLANGE	JIGH10	1	
20	AIR MOTOR 7.2 HP	LC01	1	

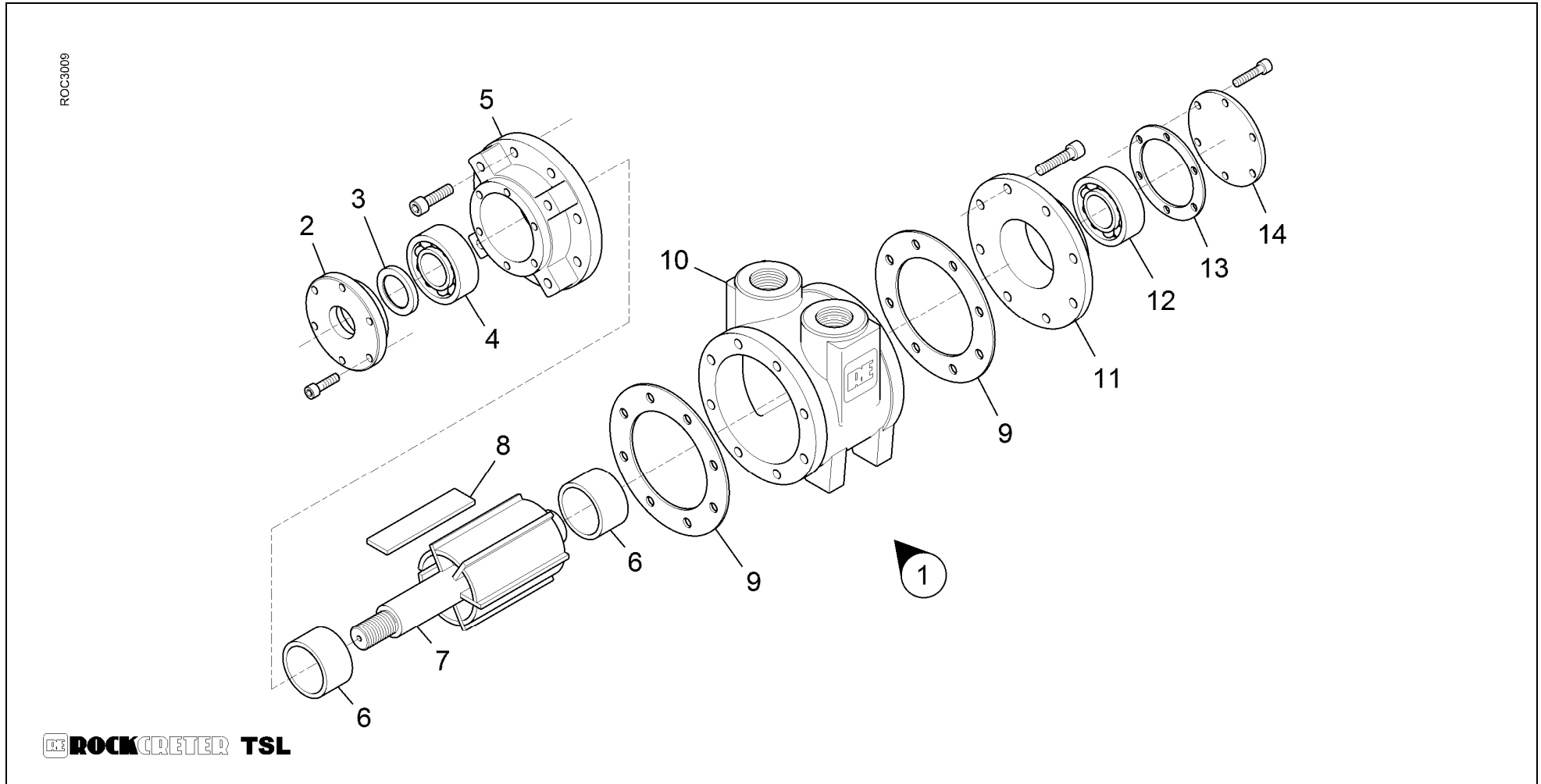
1. BODY ASSEMBLY



1. BODY ASSEMBLY (CONTINUED)

ITEM NO	DESCRIPTION	PART NO	QTY	COMMENTS
21	MOTOR MUFFLER	EA002J	1	
22	AIR MANIFOLD	KGPF011	1	
23	AIR MANIFOLD PRESSURE GAUGE	EA035	1	
24	SPANNER AND CHAIN	KGPF020	1	
25	VALVE, AIR 1"	PV05	1	
26	DIRT TRAP	EA007	1	
27	LUBRICATING CYLINDER	EA005	1	
28	STRAINER CAGE	EA007A	1	
29	MOTOR COVER	KGPF024	1	
30	MOTOR COVER	KGPF024A	1	

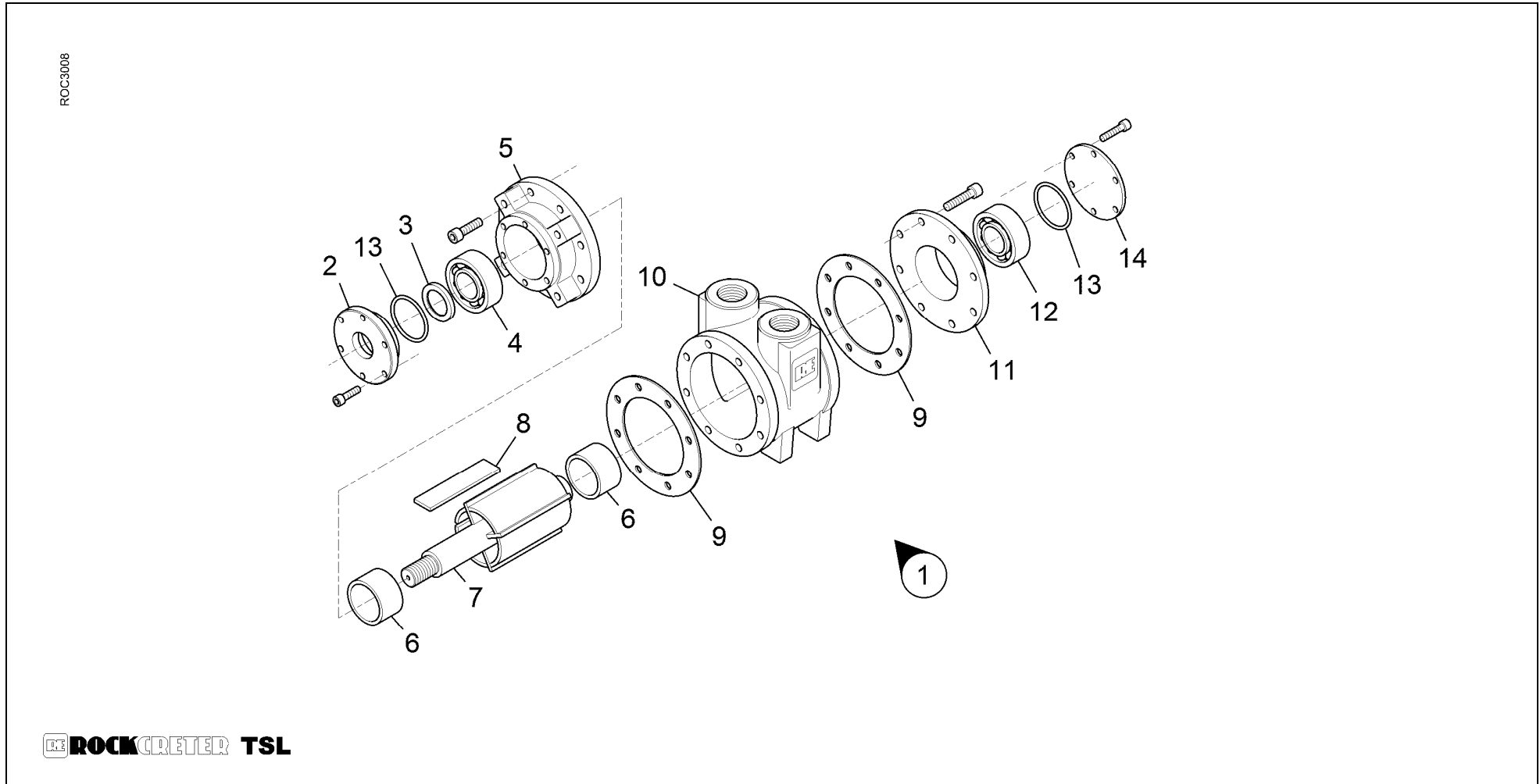
2. 10 HP AIR MOTOR ASSEMBLY



2. 10 HP AIR MOTOR ASSEMBLY

ITEM NO	DESCRIPTION	PART NO	QTY	COMMENTS
1	ROCKCRETER 10 HP AIR MOTOR	RC10	1	
2	COVER, FRONT, BEARING	RC02	1	
3	OIL SEAL	RC01	1	Supplied in Repair Kit
4	BEARING, FRONT	RC03	1	Supplied in Repair Kit
5	COVER, FRONT, MOTOR	RC11	1	
6	RING	RC09	2	
7	ROTOR	RC07	1	
8	VANE	RC05	6	Supplied in Repair Kit
9	GASKET	RC06	2	Supplied in Repair Kit
10	MOTOR HOUSING	RC12	1	
11	COVER, REAR, MOTOR	RC13	1	
12	BEARING, REAR	RC04	1	Supplied in Repair Kit
13	GASKET	RC08	2	Supplied in Repair Kit
14	COVER, REAR, BEARING	RC14	1	
15	REPAIR KIT	RC00	1	RC01, 03, 05, 06, 04

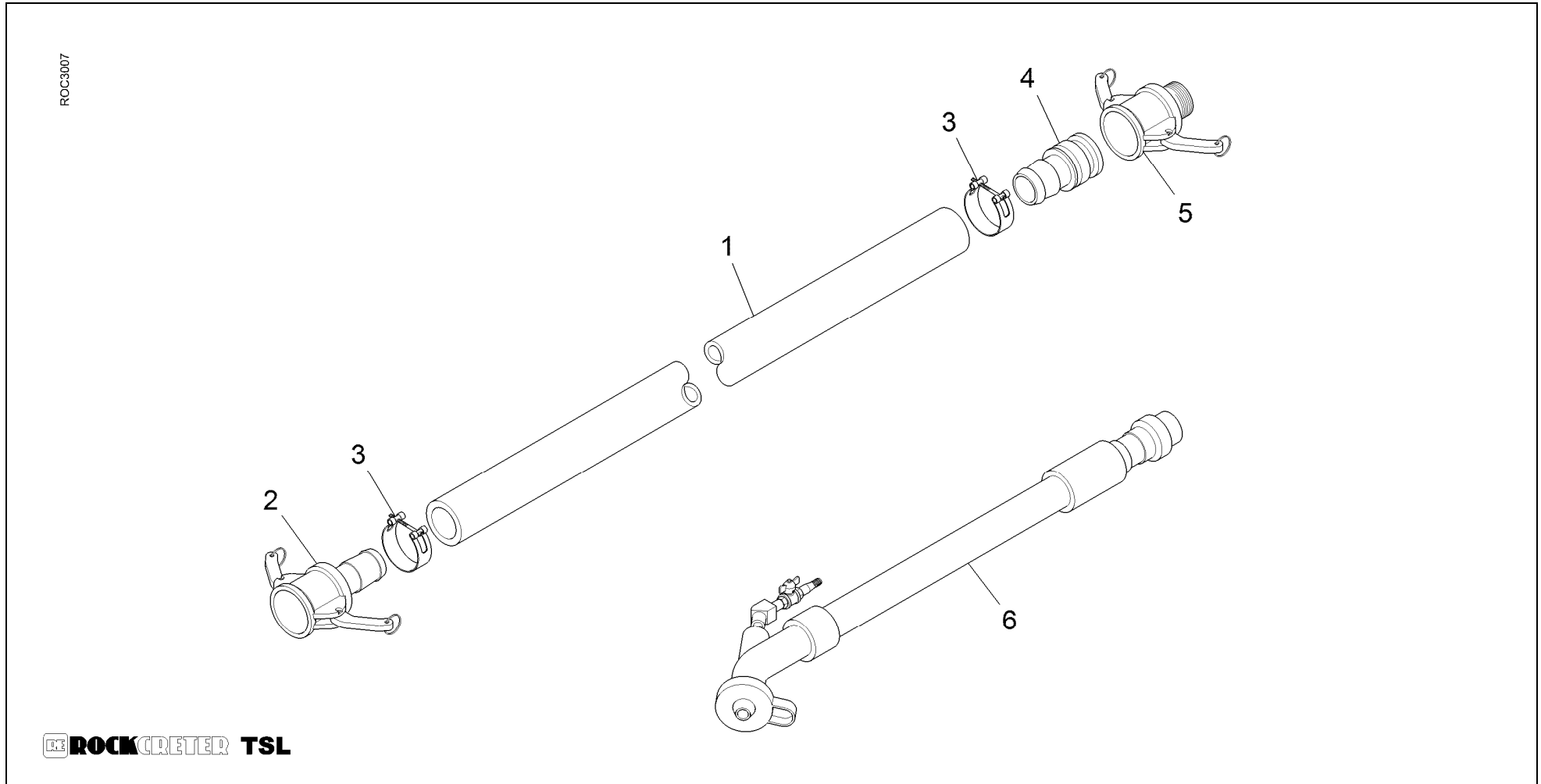
3. 7.2 HP AIR MOTOR ASSEMBLY



3. 7.2 HP AIR MOTOR ASSEMBLY

ITEM NO	DESCRIPTION	PART NO	QTY	COMMENTS
1	ROCKCRETER 7.2 HP AIR MOTOR	LC01	1	
2	COVER, FRONT, BEARING	LC11	1	
3	OIL SEAL	LC05A	1	Supplied in Repair Kit
4	BEARING, FRONT	IGH31	1	Supplied in Repair Kit
5	COVER, FRONT, MOTOR	LC09	1	
6	RING	LC03	2	
7	ROTOR	LC06	1	
8	VANE	LC02	4	Supplied in Repair Kit
9	GASKET	LC04	2	Supplied in Repair Kit
10	MOTOR HOUSING	LC07	1	
11	COVER, REAR, MOTOR	LC08	1	
12	BEARING, REAR	IGH31	1	Supplied in Repair Kit
13	O-RING	LC04A	2	Supplied in Repair Kit
14	COVER, REAR, BEARING	LC12	1	
15	REPAIR KIT	LC00	1	LC02, 03, 05A, 04, 04A, IGH31

4. HOSE ASSEMBLY



4. HOSE AND NOZZLE ASSEMBLY

ITEM NO	DESCRIPTION	PART NO	QTY	COMMENTS
1	10M HOSE 40BAR	E020	1	
2	COUPLING FEMALE	W006T	1	
3	CLAMP	E033B	2	
4	COUPLING MALE	W006S	1	
5	COUPLING MALE THREADED	W006O	1	
6	NOZZLE WITH EXTENSION	KGPF021	1	

